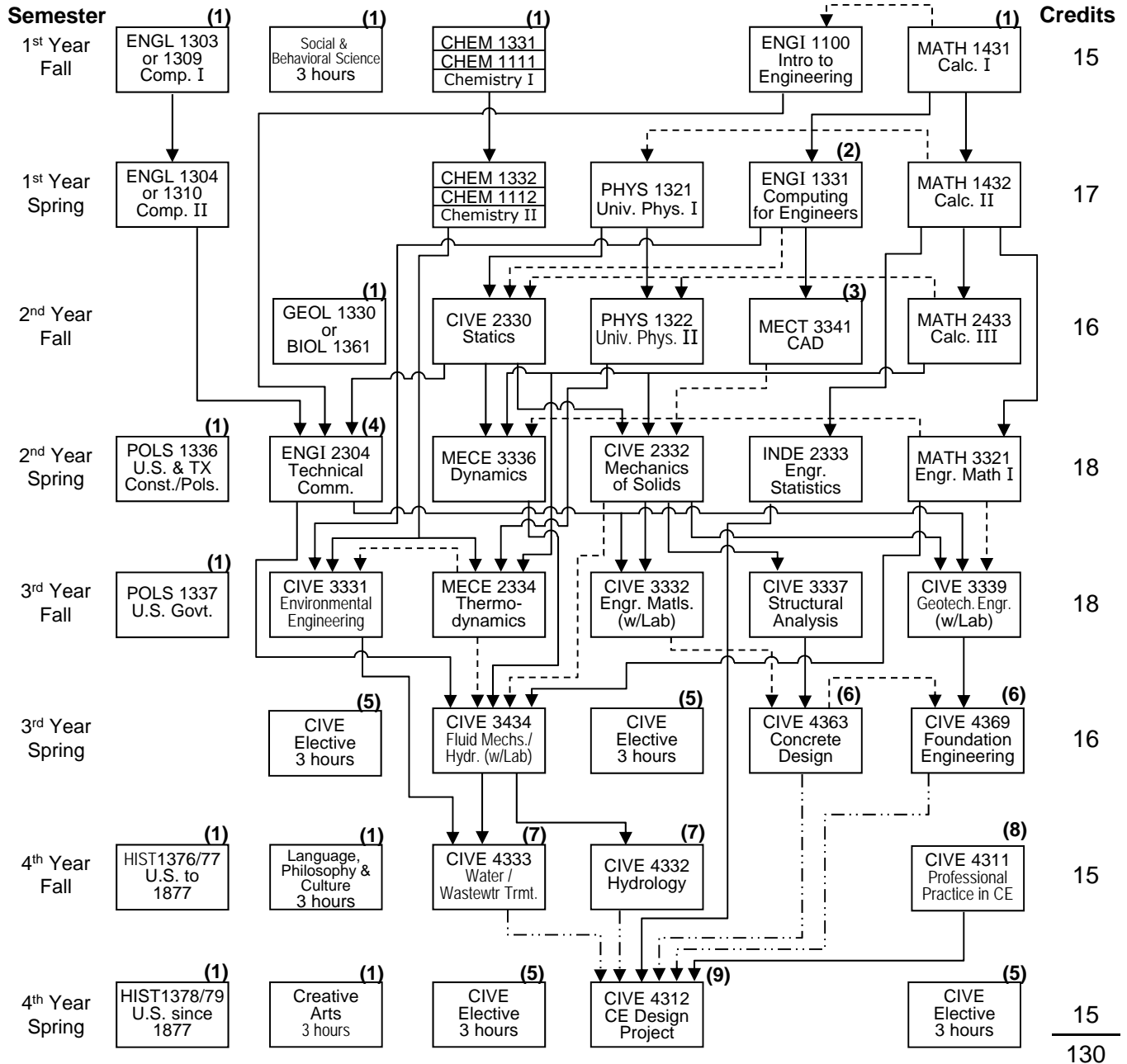


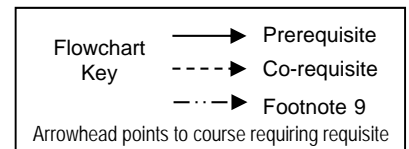
UH Department of Civil and Environmental Engineering BSCE Degree Program Flow Chart

Revised 05/21/19

(for students admitted to UH BSCE major from Fall 2015 on)



- Flowchart is **only an aid** for degree planning. Consult Undergraduate Catalog for official requirements & requisites.
- When course requisites changed new requirements apply to all students.



Footnotes:

- (1) Check requisites in Undergraduate Catalog. Refer to Undergraduate Catalog "Policies" for information on equivalents and substitutions, opportunities for credit through examination, etc.
- (2) Must complete CHEM 1331 or PHYS 1321 before ENGI 1331 Computing.
- (3) COSC 1304 is listed as prereq in Undergrad Catalog but ENGI 1331 Computing is allowed as substitute for engineering majors.
- (4) Can also meet prerequisite requirement with ENGI 1100 + ENGI 1331 + INDE 2333.
- (5) Students must complete four CIVE electives chosen with advisor approval. Upper-level students with overall and major GPAs ≥ 3.0 may count up to two CIVE graduate classes as electives with permission of the Undergraduate Director, Graduate Director and course instructor. One civil engineering related, approved 3000 or higher level course outside CIVE may be substituted for an elective. See approved substitute list at www.cive.uh.edu. Other three electives must have CIVE prefix. **All** electives have prerequisites - see catalog.
- (6) Only guaranteed to be offered in **spring** semesters.
- (7) Only guaranteed to be offered in **fall** semesters.
- (8) Prerequisites for CIVE 4311 Prof Practice in Civil Engr are ENGI 2304 Tech Comm and any two CIVE 3000-level courses.
- (9) CIVE 4332, 4333, 4363 and 4369 are listed as prerequisites to CIVE 4312 in Undergraduate Catalog, but allowing CIVE 4332 and CIVE 4333 to be taken concurrently with 4312 in fall semester and CIVE 4363 and 4369 to be taken concurrently with 4312 in spring semester. Effective Fall 18, CIVE 3332 Engr Matls is allowed as co-req for CIVE 4363 Concrete, but CIVE 3332 remains a prereq for CIVE 4312.